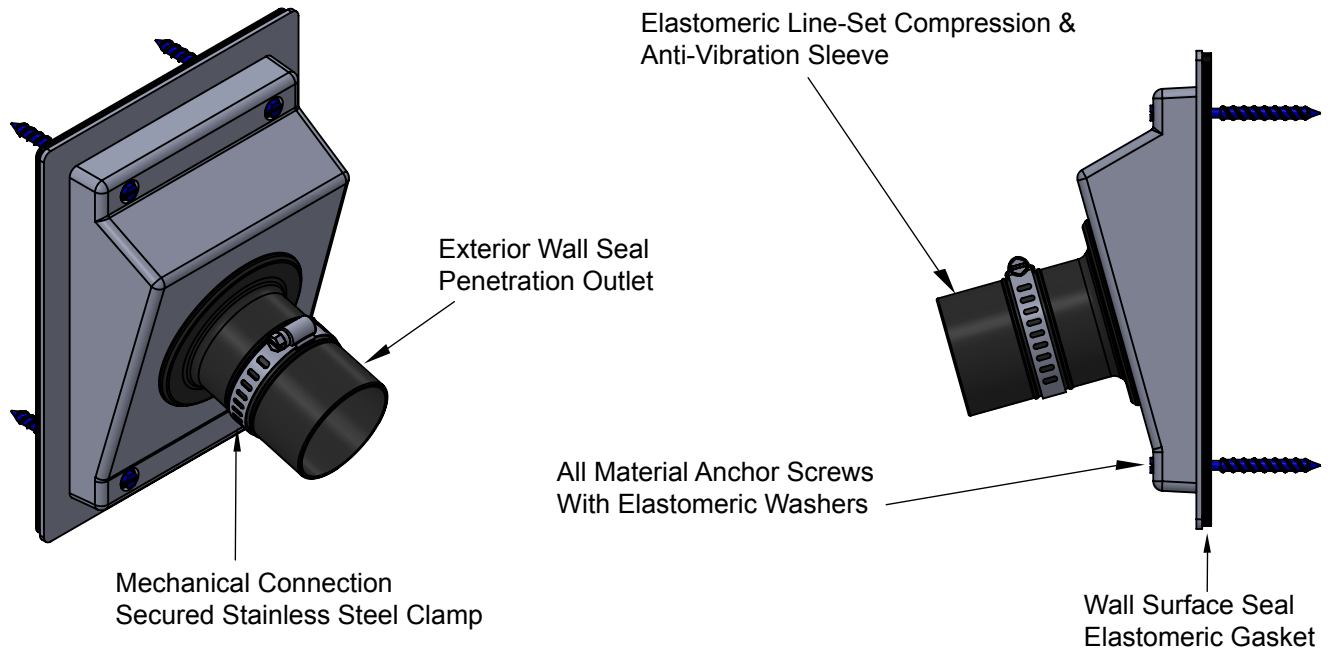


TITAN GS30 Outlet™

Wall Seal System for HVAC Line-Set & Pipe Penetrations



Code Requirements

Commercial Codes

- **2006, 2009 & 2012 International Energy Conservation Code (IECC)**
Air Leakage (Mandatory) - Commercial Section C502.4.3 and C402.4.2 Building Thermal Envelope - Penetrations
- **2013 California Building Energy Efficiency Standards (TITLE 24 ENERGY CODE)**
Air Leakage (Mandatory) - All occupancies Section 117 Joints and other Openings/Exterior Wall Penetrations
- **2006, 2009 & 2012 International Mechanical Code (IMC) Chapter 3**
General Regulations Section 301.1 Scope - Sections 301.10, 301.11, 301.14, 301.15, 305.1, 305.2, 305.4
- **2006, 2009 & 2012 Uniform Mechanical Code (UMC) Chapter 11 Refrigeration – Section 1101.0 Scope -**
Section 1101.1 - General Requirements Section 1106.0 – Section 1106.2, Section 1111.0 Erection of Refrigerant Piping & Vibration – Sections 1111.1, 1111.2, 1111.4
- **2006, 2009, 2012 International Building Code (IBC)**
Chapter 13

Residential Codes

- **2006, 2009 & 2012 International Energy Conservation Code (IECC)**
Air Leakage (Mandatory) - Residential Section 402.4.1 and 402.4.1.1 Building Thermal Envelope - Penetrations
- **2013 California Building Energy Efficiency Standards (TITLE 24 ENERGY CODE)**
Air Leakage (Mandatory) - All occupancies Section 117 Joints and other Openings/Exterior Wall Penetrations
- **2006, 2009, 2012 International Residential Code (IRC) Chapter 11 Part IV Energy Efficiency -**
Section N1101 General - N1101.1 Scope - Air Leakage Section N1102.4 Section N1102.4.1 - Building Thermal Envelope - (1. All joints, seams, penetrations)
Chapter 11
Refrigeration Section 1101.0 Scope -1101.3 Protection

TITAN GS30 Outlet™

Wall Seal System for HVAC Line-Set & Pipe Penetrations

A Exterior Wall Seal Penetration Outlet

- Best In Class Outdoor Polymer Blend ASA (Acrylonitrile Styrene Acrylate)
- Specifically used for outdoor applications
- Extremely weather resistant (UL 746C rated F1)
- High Impact strength withstands up to 5,290 psi
- High heat resistance

B Elastomeric Line-Set Compression & Anti-Vibration Sleeve

- Best In Class Elastomeric Material
- This material is used specifically for seals & gaskets, HVAC Flapper door seals, living hinges, and bonding
- UV Resistant
- Especially formulated to bond to ASA for applications where hard/soft applications are required.
- Adhesive strength to ASA Peel Strength 2.6 kN /m (15.0 pli)

C Wall Surface Seal, Elastomeric Gasket

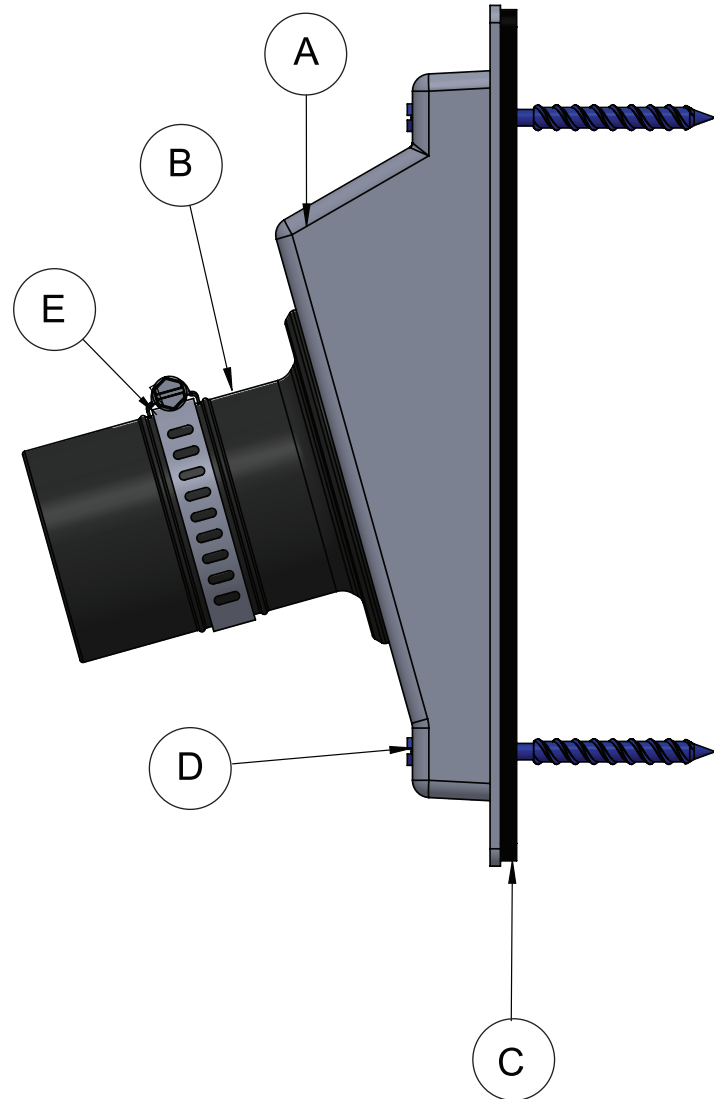
- Light Density closed-cell PVC foam Gasket
- Positive Seals on irregular surfaces
- Completely seals out air, moisture, light and dust when compressed 30% or more.
- Absorbs Shock, deadens sound, eliminates excess vibration.
- Long life seal
- Excellent Fungi Resistance, Oxidation Resistance & Weather Resistance.
- Pre-Loaded, permanently installed

D All Material Anchor Screws with Elastomeric Washers

- Tapcon All material screw
- Carbon Steel
- ICC Evaluation Services Approval & Listing # ESR-1671
- Florida Building Code Approved
- Miami-Dade County Approved – Hurricane protection
- Includes Blue Climaseal coating, provides extra corrosion resistance
- Taps its own thread, reversible and removable
- Thread design results in increased pullout values and lower installation torque

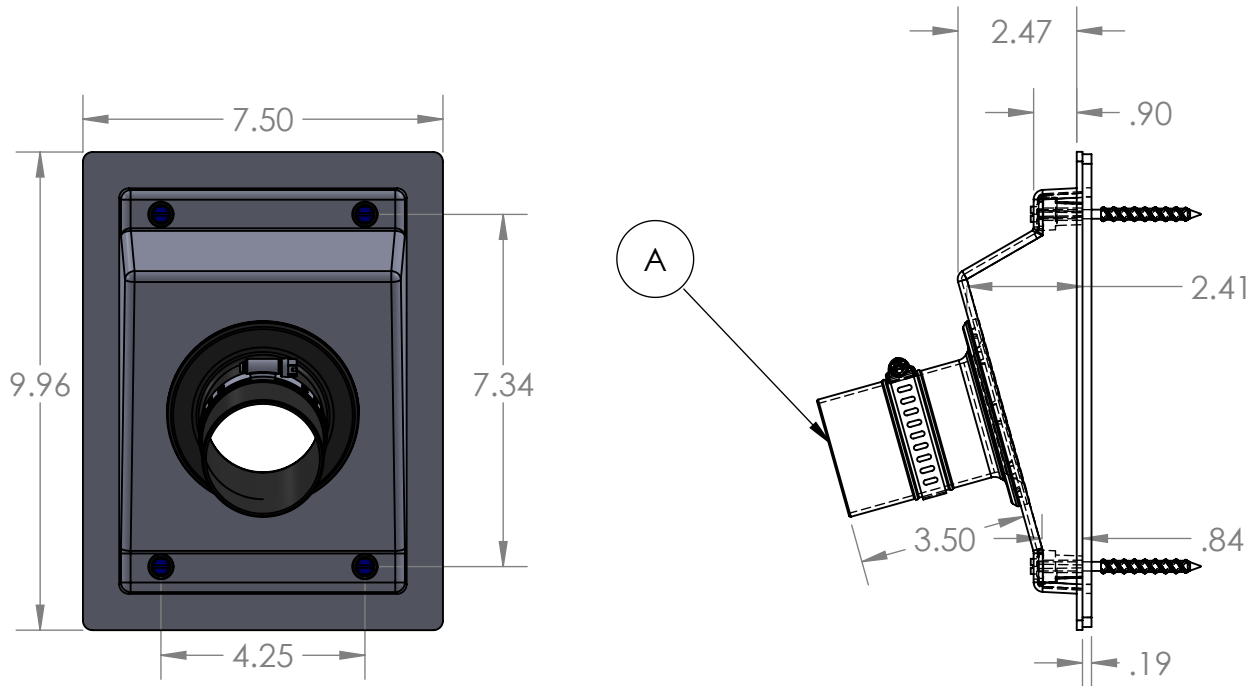
E Mechanical Connection Secured Stainless Steel Clamp

- Adjustable Stainless Steel hose clamp for extra support and tightness.



TITANGS30 Outlet™

Wall Seal System for HVAC Line-Set & Pipe Penetrations



Model #	(A) Diameter	(A) Diameter *	Insulation Thickness
TGS550	1.70"	1-11/16"	1/2"
TGS575	2.375"	2-3/8"	3/4"
TGS510	3.1875"	3-3/16"	1"

Plastic Material Testing Standards

Wall Mounted Outlet (Rigid Plastic)

- **ASTM D1525C-09** - Temperature Deformation Test
- **ASTM D648-07** - Temperature Load Deformation Test
- **ASTM D412** - Tension Deformation Test
- **UL 94 HB** - Flammability Test - f1 Rating
- **UL 746C** - Outdoor Suitability

Wall Outlet Sleeve (Elastomeric Plastic)

- **ASTM D573-04** - Deterioration Test
- **ASTM D746-07** - Brittleness Temperature Impact Test

Approved Product Testing Standards

- **ASTM E283**- Standard Test Method for Air Leakage
- **ASTM E331**- Standard Test Method for Water Penetration of Exterior Walls by Uniform Static Air Pressure